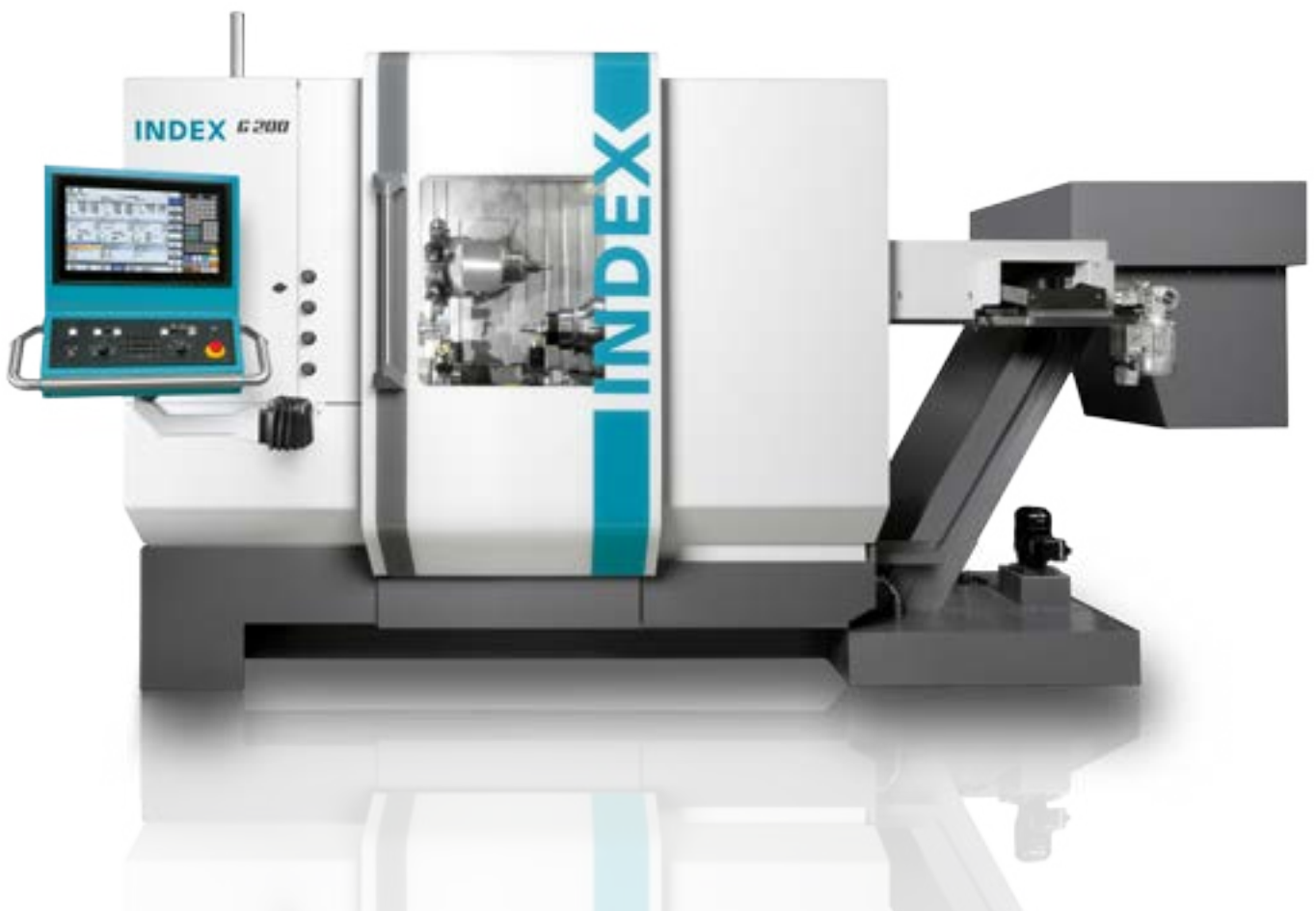


G200

*Turn-mill center for high
flexibility and productivity*

INDEX



better.parts.faster.

The INDEX G200 with integrated milling spindle

Flexible turning and milling – as productive as automatic turning

The INDEX G200 is equipped with two identical work spindles, three tool turrets, all of which have a Y-axis, and one milling spindle with a 360-degree B-axis.

This turn-mill center combines the productivity of an automatic lathe with the ability to perform sophisticated milling operations.

The work area, unique in its class, assures with its compact foot print an enormous power density for your economic manufacturing of today and tomorrow.

In addition, the vertical work area design with up to three tool carriers and one milling spindle allows optimum process reliability with minimal setup efforts through the convenient tool pool of up to 43 stations (42x VDI25 and 1x HSK-A40).



**Machining example with
360-degree B axis:**



The machine design

- Bar capacity dia. 65 mm
Chuck dia. 165 mm
- Up to three tool carriers with Y-axis usable on main and counter spindles
- Simultaneous machining using two or three turrets
- Fast turret indexing
- High acceleration and fast rapid traverse rates up to 60 m/min
- Generously sized work area

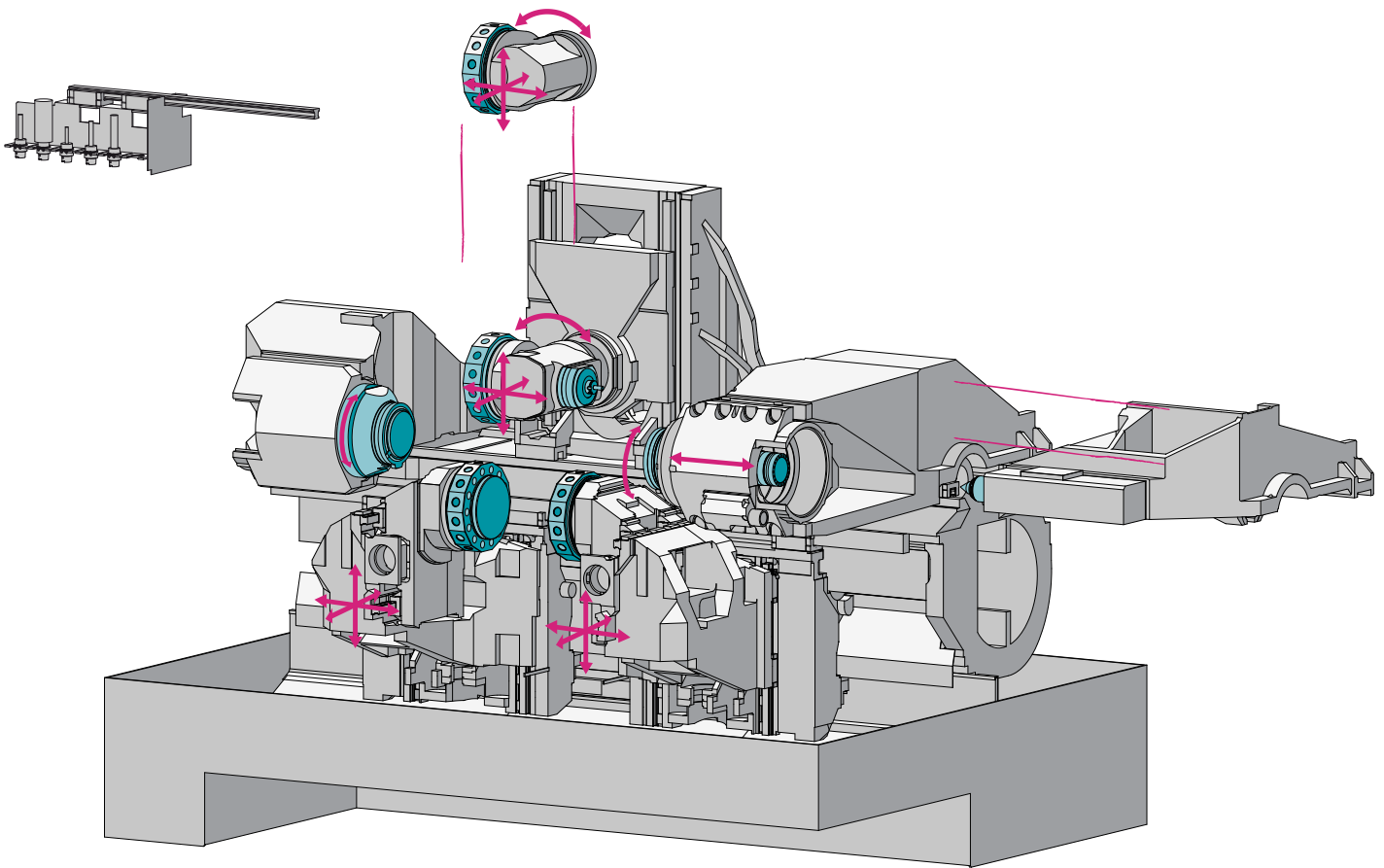
The milling spindle (option)

- Powerful and dynamic milling spindle (max. 7,200 rpm, 22 kW and 52 Nm), tool mounting HSK-A40
- 360-degree B-axis

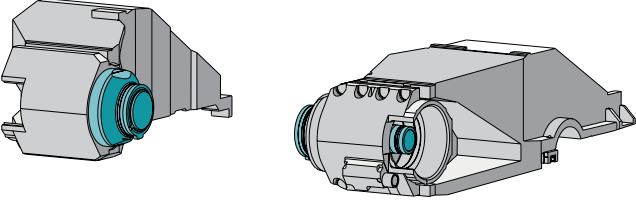
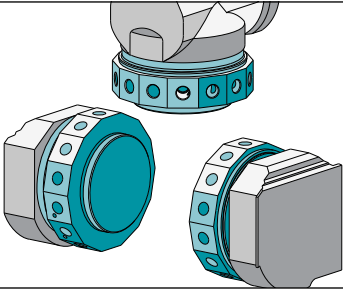
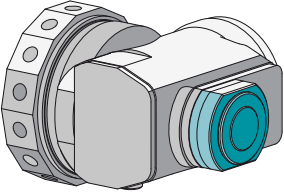
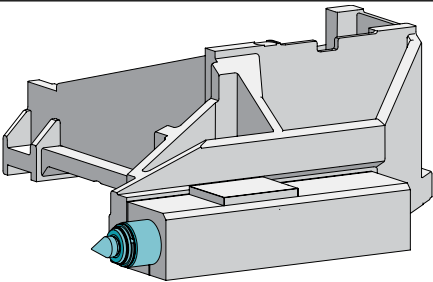
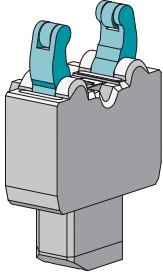
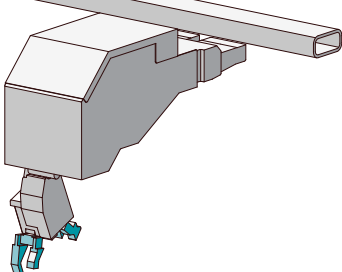
Flexible productivity from the modular system

With a high degree of rigidity, thermal and dynamic stability as well as very good vibration-damping properties, the INDEX G200 enables production with excellent workpiece qualities.

The powerful milling spindle, in connection with the Y/B-axis running in hydrodynamic bearings ensures sophisticated drilling or milling operations – without the use of live tool holders – easy and cost-effective.

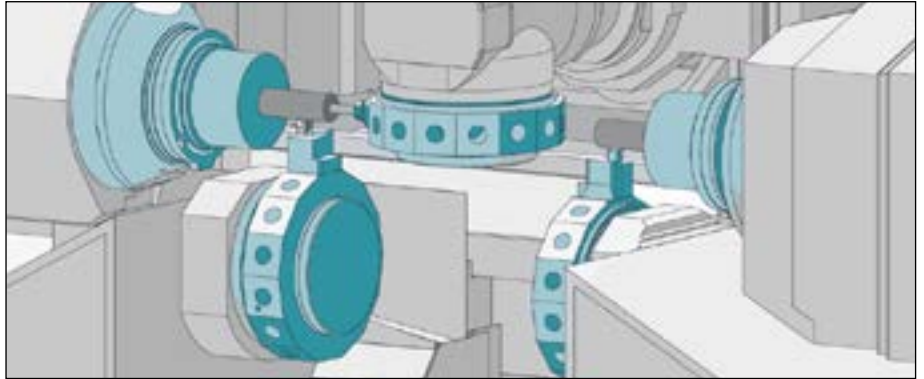


The components

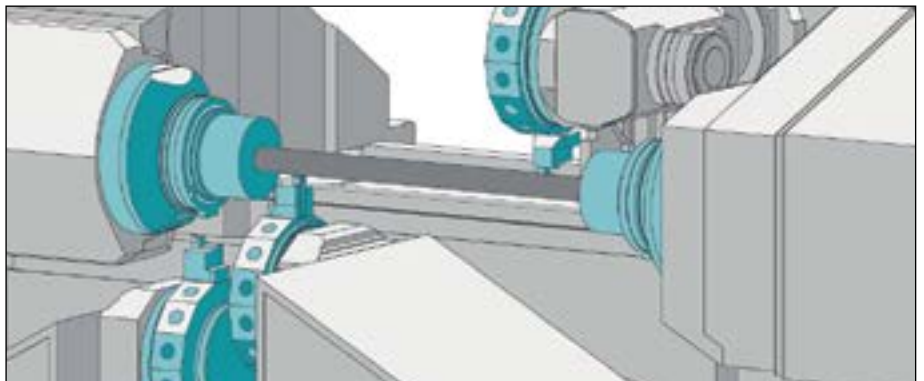
	<p>Main and counter spindles</p> <ul style="list-style-type: none"> • Dia. 65 mm • 6,000 rpm • Main spindle 32 kW, counter spindle 24 kW torque 170 Nm (40%)
	<p>Three turrets with up to 42 stations</p> <ul style="list-style-type: none"> • 14 stations, VDI25 • 7,200 rpm • Turret 1 9 kW, 16 Nm (100%) • Turret 2 & 3 6.5 kW, 16 Nm (25%)
	<p>Milling spindle</p> <ul style="list-style-type: none"> • 7,200 rpm, 22 kW, 52 Nm (25%) • Tool mounting HSK-A40 • X-axis 230 mm, rapid traverse rate 30 m/min • Y-axis +/- 65 mm, rapid traverse rate 15 m/min • Z-axis 845 mm. rapid traverse rate 50 m/min • 360-degree B-axis
	<p>Tailstock</p> <ul style="list-style-type: none"> • Max. distance from spindle zero 845 mm • Max. pressure force 5,500 N
	<p>Turret steady</p> <ul style="list-style-type: none"> • Clamping range 10 – 64 mm
	<p>Gantry-type removal unit</p> <ul style="list-style-type: none"> • Dia. max. = 65 mm • Length max. = 200 mm • Mass max. = 5 kg

Incomparably large degrees of freedom in the work area for a wide variety of machining options

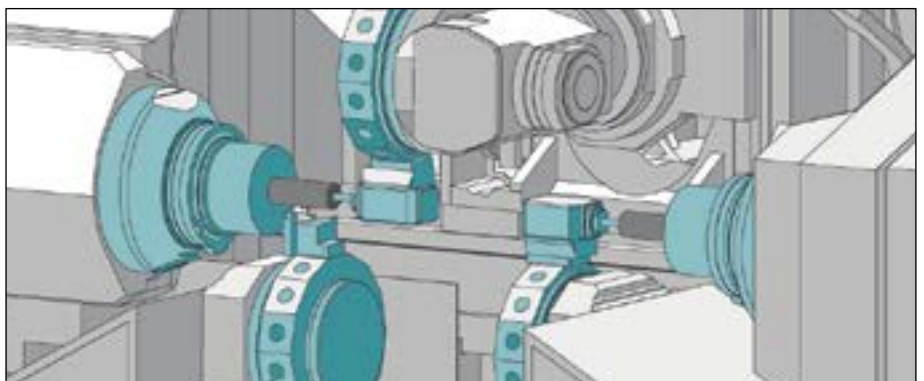
Use of straight tool holders for the most stringent precision requirements.



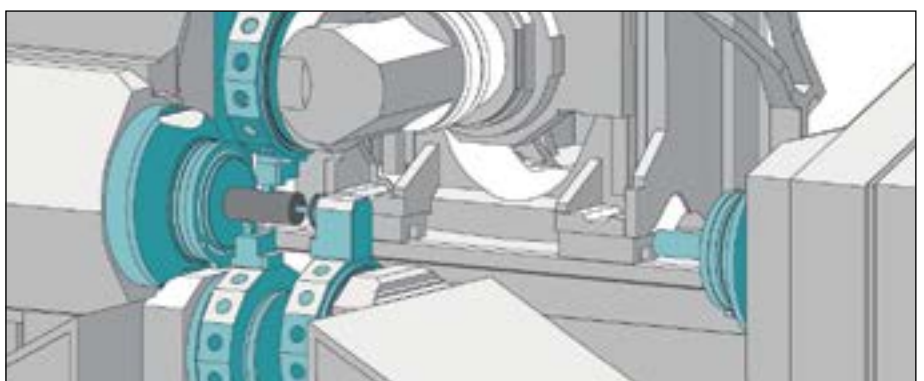
Machining of long workpieces without interruptions with turret 2 or turret 3 in parking position.

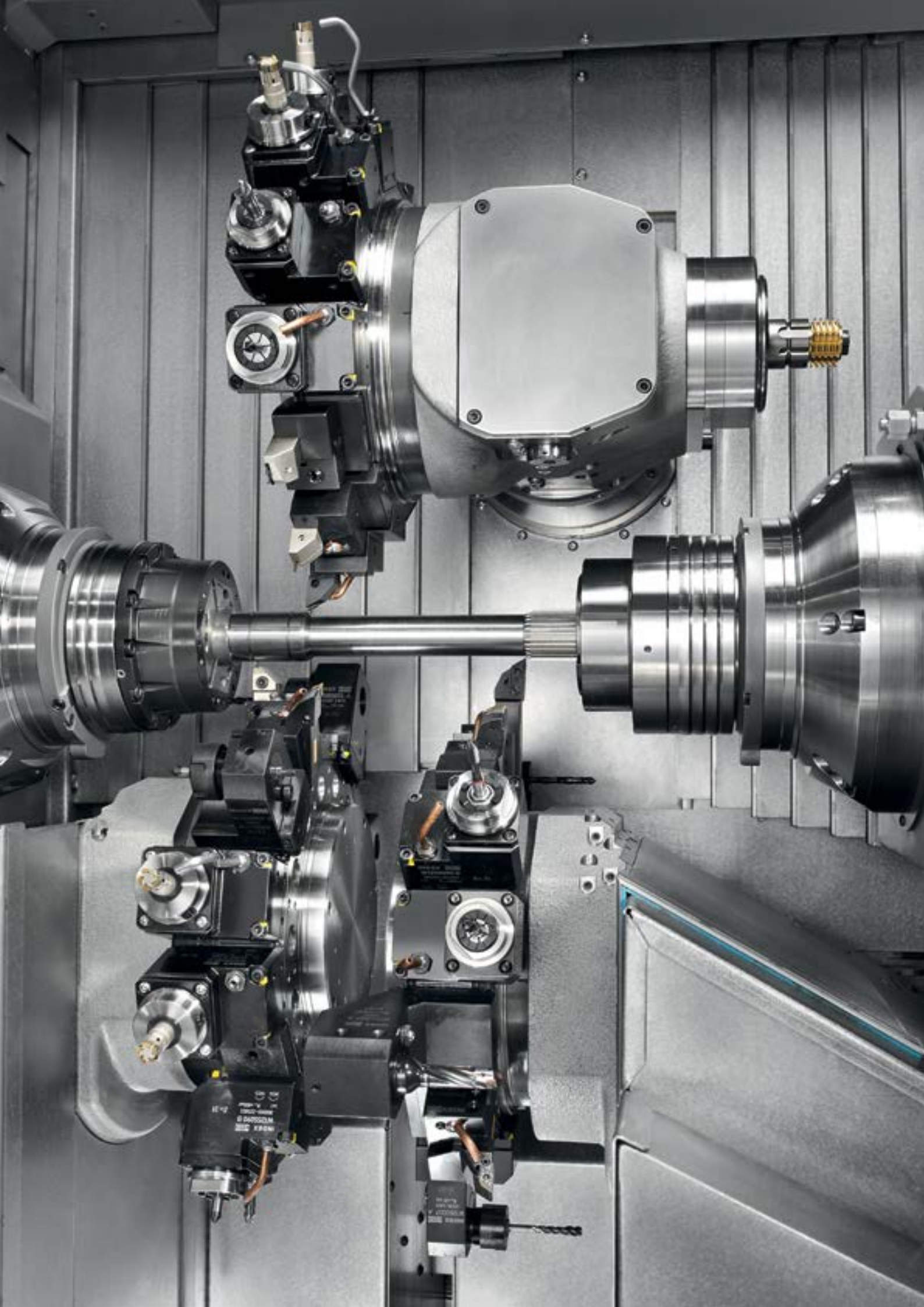


Simultaneous internal machining on main and counter spindles.



Simultaneous machining with three tools on the main or counter spindle.





High-performance milling and drilling – without live tool holders

With the optional integrated milling spindle, all drilling and milling operations can be carried out with high performance, productivity and cost effectiveness.

High-performance milling:

Machining examples

Cutter head Ø63 mm ap: 2 mm

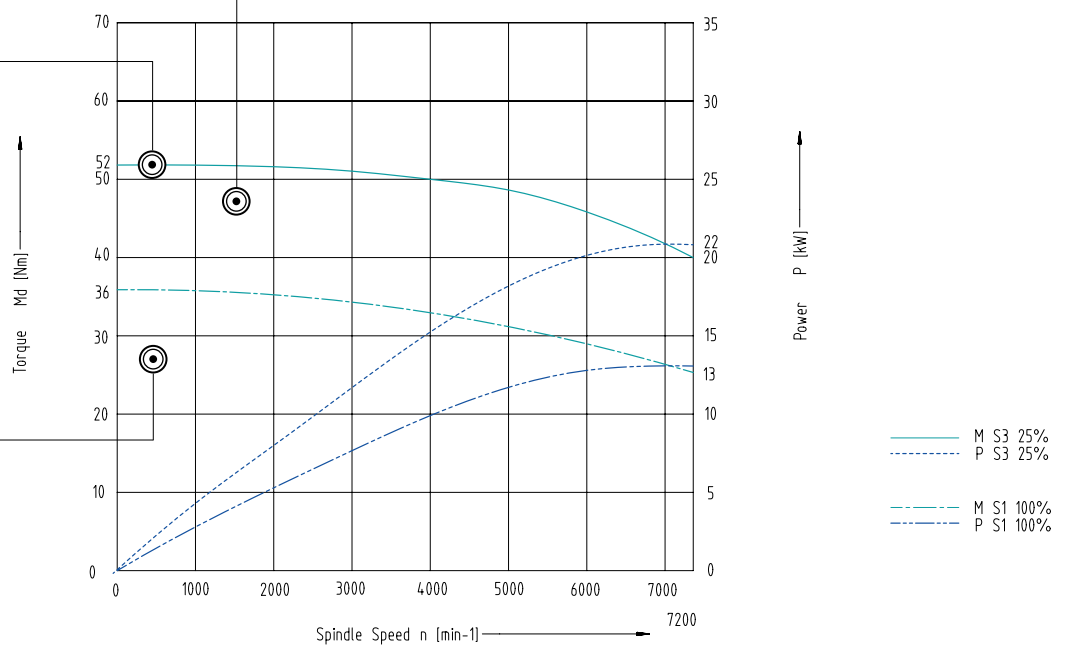
Material	42CrMo4
Torque Md	52 Nm

M12 Tapping

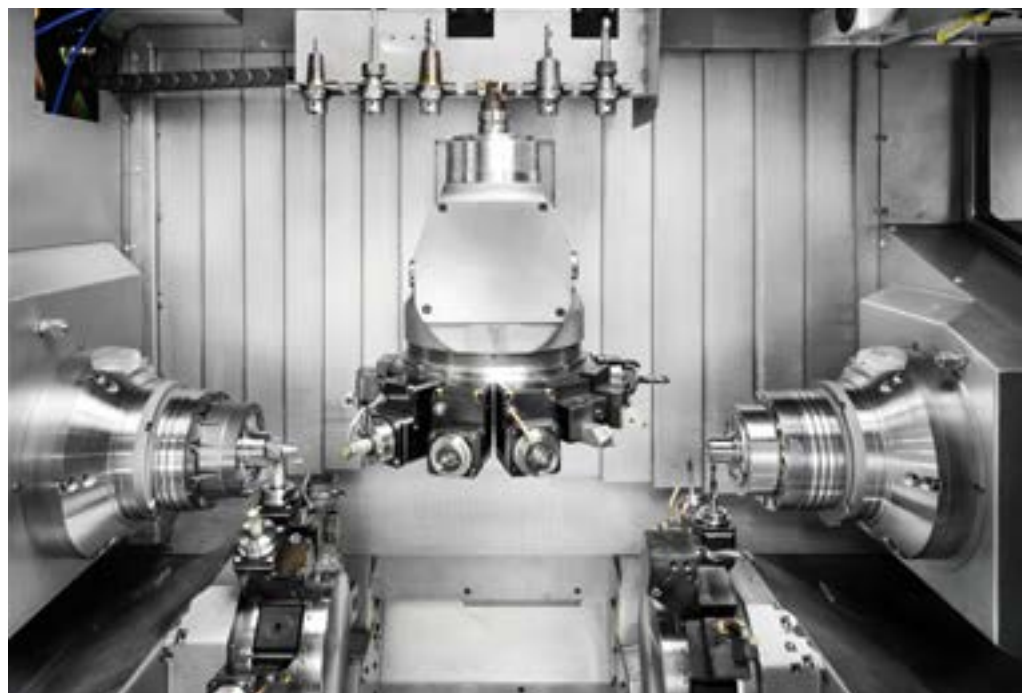
Material	42CrMo4
Torque Md	27 Nm

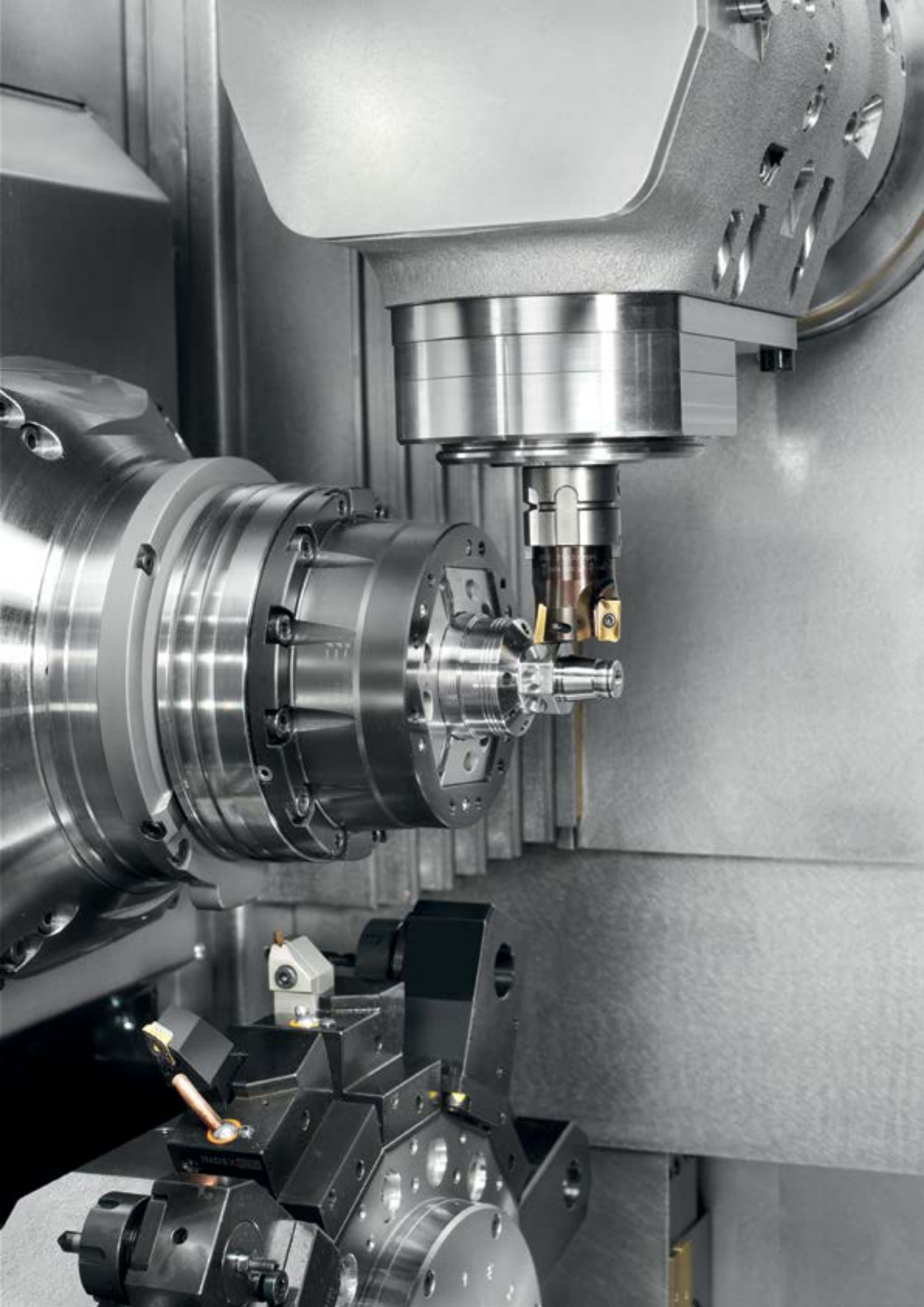
Solid carbide drills Ø20 mm

Material	42CrMo4
Torque Md	48 Nm

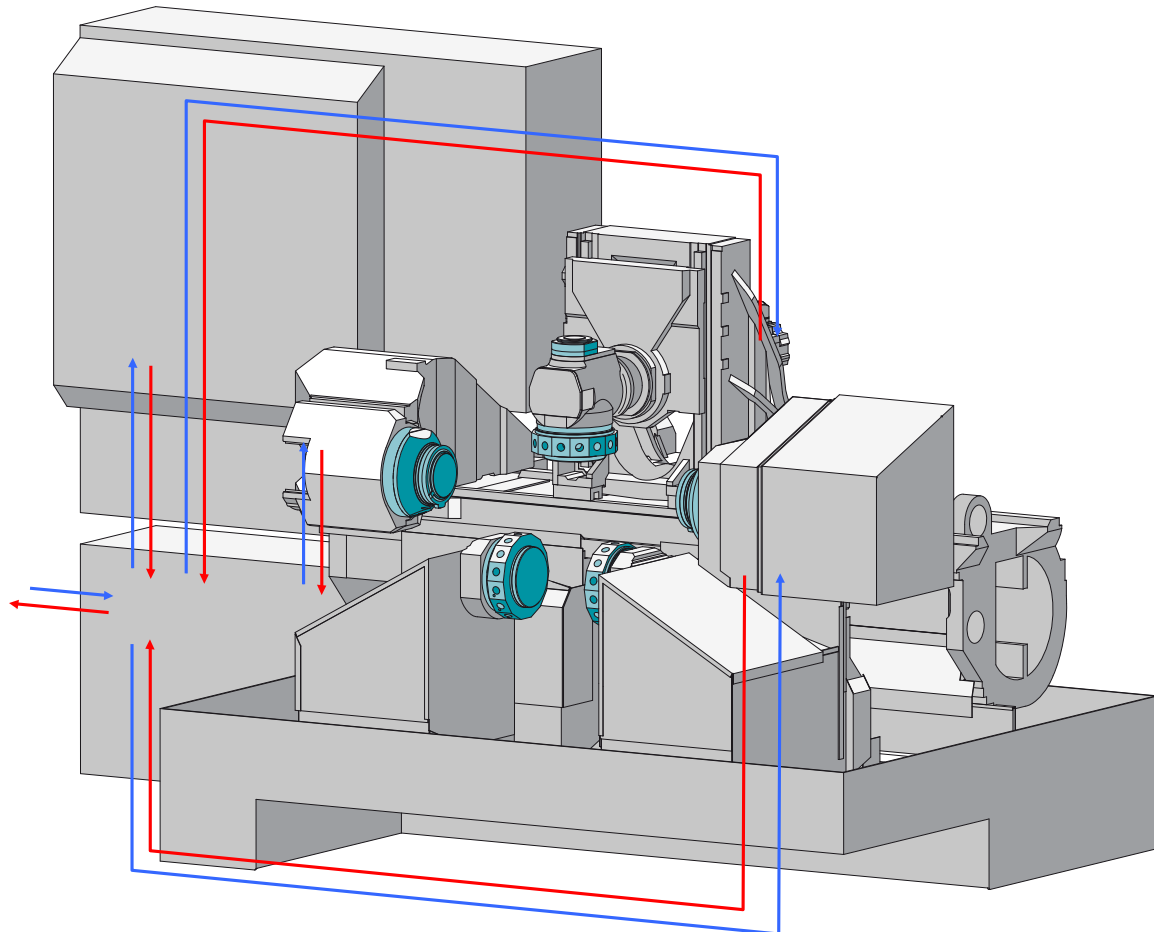


Tools are changed automatically in the integrated milling spindle using a pick-up procedure. With the linear tool magazine moving from the left into the work area, a total of 6x HSK-A40 tool locations are available.





With intelligent cooling concept: efficient use of energy



Intelligent use of proven cooling principles:

- **Targeted heat dissipation**

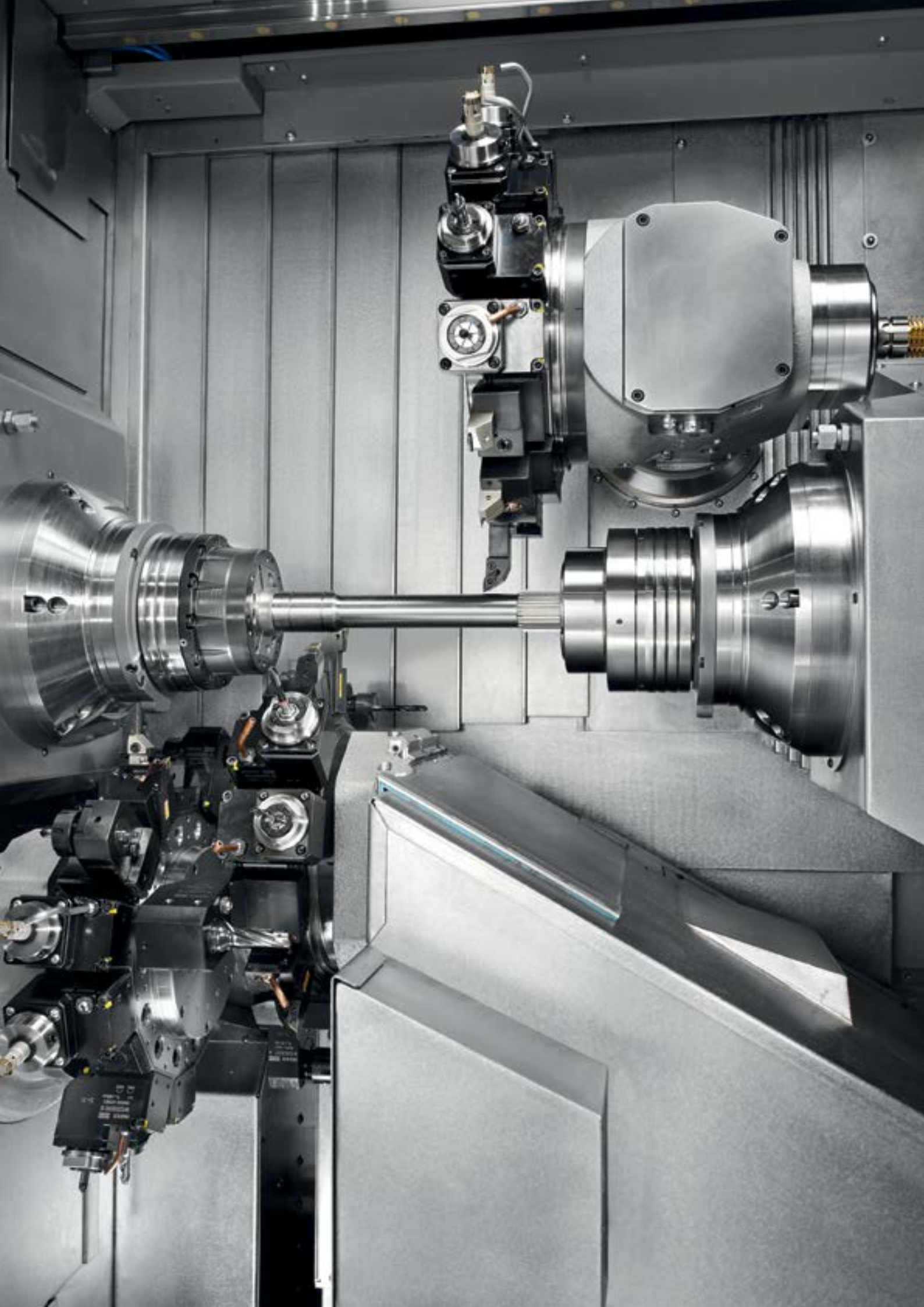
All high-loss heat sources of the INDEX G200 are cooled directly with different cooling media via multiple fluid circuits. In addition to the main and counter spindle, as well as tool carrier 1, the hydraulic system and the control cabinet have a separate cooling circuit. The lost heat energy is absorbed directly in the coolant and removed from a central location of the machine.

- **Economic use of waste heat**

The INDEX “cold water interface” allows the heat loss energy stored in the cooling medium to be removed from a central location and conveyed for another use, if required, e.g., production hall heating, service water heating or process heating for other production steps. The recovery of machine waste heat enables a sustainable reduction of energy costs in the company.

- **Climate-neutral dissipation of heat**

The cold water interface provides the ability to dissipate heat in a climate-neutral manner, if the machine waste heat stored in the cooling medium cannot be used otherwise. The necessary cooling unit can be used with the help of the water interface first on the outside of the production hall and secondly also centrally for several machines. This offers a considerable energy savings potential for production hall heating dissipation/climate control or increased efficiency as a result of centralized heat disposal.





The cockpit for easy integration of the machine in your business organization.



Focus on production and control – Industry 4.0 included.

The Xpanel operating concept provides access to networked production. With Xpanel your staff always has all relevant information for efficient production right at the machine. Xpanel is already included in the standard and can be individually extended. So you can use Xpanel as you want it for your business organization – that's Industry 4.0 tailored to your needs.

Future-proof.

Xpanel integrates the latest control generation SIEMENS S840D sl. Use XPanel intuitively via an 18.5" touchscreen.



Productive.

Maximum performance through comprehensive technology cycles and programming screens, e.g., for optimum turning, milling and drilling, especially when using several tools simultaneously.

Intelligent.

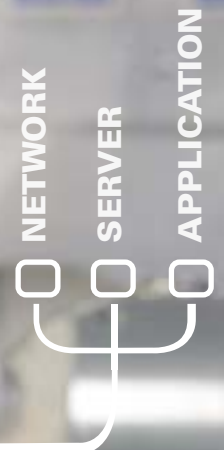
The machine always starts with the control home screen. Other functions can always be displayed on a second screen, and the operator enjoys direct, activity-related assistance already in the standard version, such as workpiece drawing, setup lists, programming tools, documentation, etc., right at the machine.

Virtual & open.

With the optional VPC box (industrial PC), Xpanel opens up the world of Virtual Machine with the 3 operating modes

- CrashStop
- RealTime Mode
- independent simulation (VM on board) directly on the control.

Thanks to the VPC box, the machine can be integrated into your IT structure without restrictions.



CUSTOMER

18.5" TOUCHSCREEN

STANDARD included as standard

OPTION

Industrie 4.0 - features



Order documents



Customer data



Workpiece counter



Production status



Drawings



Setup sheet



Notes



Information center



Maintenance & care



User management



Technology computer



Programming help



VPC Box



Virtual Machine 3D simulation



VirtualPro Programming Studio

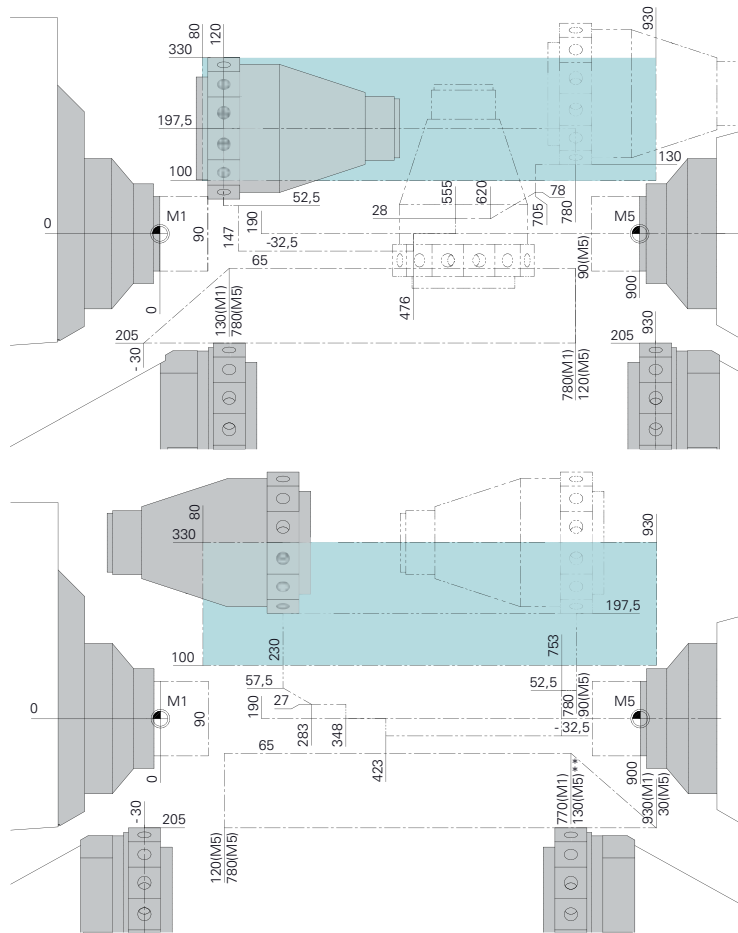
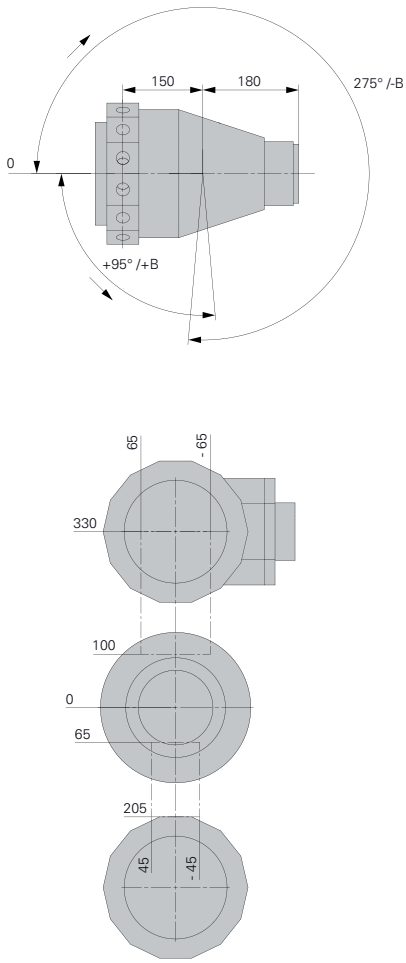


Custom applications

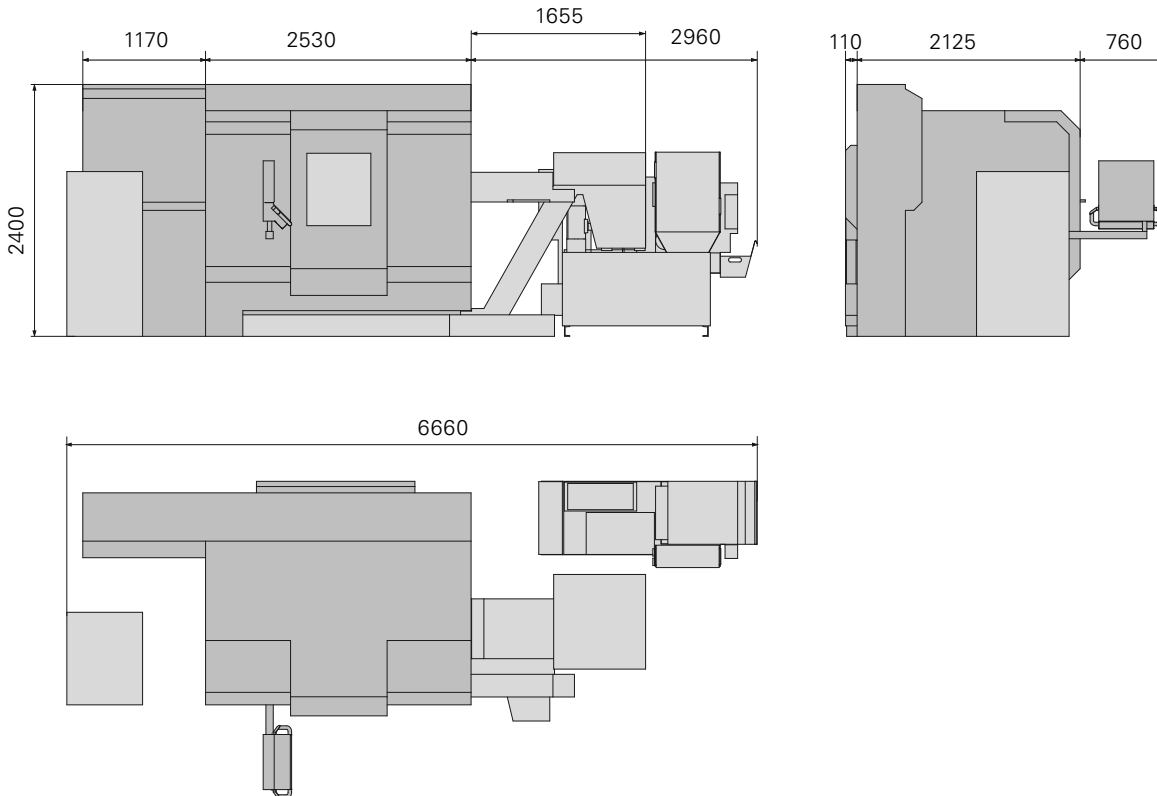
+ many more standard features

INDEX G200

Work area



Installation Chart



Technical data

Working range

Turning length	mm	660
----------------	----	-----

Main spindle, counter spindle

Spindle clearance	mm	65
Spindle diameter in front bearing	mm	110
Spindle nose ISO 702/1	Size	D140
Max. speed	rpm	6,000
Drive power MSP / CSP (100%/40%)	kW	(31.5 / 32) / (20 / 24)
Torque (100%/40%)	Nm	(125 / 170)
Chuck diameter	mm	165
Max. rotation diameter	mm	550
Aligning and indexing unit	Deg.	2.5
C-axis resolution	Deg.	0.001

Counter spindle

Slide travel Z, rapid traverse rate, feed force	mm / m/min / N	710 / 60 / 6,000
Minimum distance for collet	mm	10

Tailstock

Max. distance from spindle zero	mm	845
Max. pressure force	N	5,500

Turret 1, 2 and 3

Number of stations		14
Tooling system DIN69880		25x48
Max. speed	rpm	7,200

Turret 1	Max. drive power / torque (100%)	kW / Nm	9 / 16
-----------------	----------------------------------	---------	--------

Turret 2 & 3	Max. drive power / torque (25%)	kW / Nm	6.5 / 16
-------------------------	---------------------------------	---------	----------

Milling spindle

Tooling system DIN69893		HSK-A40
Max. speed	rpm	7,200
Drive power / torque (25%)	kW / Nm	22 / 52

Tool carrier 1

B-axis Continuous torque / maximum torque	Nm	340 / approx. 500
B-axis Swivel angle	Deg.	360
B-axis Brake holding torque	Nm	2000
B-axis Angular resolution / swivel angle 180°	Deg. / sec.	0.001 / 0.8
Slide travel X, rapid traverse rate, feed force	mm / m/min / N	230 / 30 / 6,000
Slide travel Y, rapid traverse rate, feed force	mm / m/min / N	+/- 65 / 15 / 10,000
Slide travel Z, rapid traverse rate, feed force	mm / m/min / N	845 / 50 / 6,000

Tool carrier 2 and 3

Slide travel X, rapid traverse rate, feed force	mm / m/min / N	140 / 30 / 6,000
Slide travel Y, rapid traverse rate, feed force	mm / m/min / N	+/- 45 / 15 / 10,000
Slide travel Z, rapid traverse rate, feed force	mm / m/min / N	810 / 50 / 6,000

Steady rest with sep. slide

Clamping range	mm	10-64
----------------	----	-------

Gantry-type removal unit

Workpiece weight / workpiece length max.	kg / mm	5 / 200
--	---------	---------

Machine dimensions

Length x width x height	mm	5355 x 2235 x 2400
Weight	kg	approx. 8500
Connected power	kW	approx. 42 (51 KVA)
Control		Siemens S840D sl

BRAZIL // Sorocaba

INDEX Tornos Automaticos Ind. e Com. Ltda.
Rua Joaquim Machado 250
18087-280 Sorocaba - SP
Phone +55 15 2102 6017
vendas@indextornos.com.br
br.index-traub.com

CHINA // Shanghai

INDEX Trading (Shanghai) Co., Ltd.
No.526, Fute East 3rd Road
Shanghai 200131
Phone +86 21 54176637
china@index-traub.com
www.index-traub.cn

CHINA // Dalian

INDEX DALIAN Machine Tool Ltd.
17 Changxin Road
Dalian 116600
Phone +86 411 8761 9788
dalian@index-traub.com
www.index-traub.cn

DENMARK // Langeskov

INDEX TRAU B Danmark
Havretoften 1
5550 Langeskov
Phone +45 30681790
b.olsen@index-traub.dk
www.index-traub.dk

GERMANY // Esslingen

INDEX-Werke GmbH & Co. KG Hahn & Tessky
Plochinger Straße 92
73730 Esslingen
Phone +49 711 3191-0
info@index-werke.de
www.index-werke.de

GERMANY // Deizisau

INDEX-Werke GmbH & Co. KG Hahn & Tessky
Plochinger Straße 44
73779 Deizisau
Phone +49 711 3191-0
info@index-werke.de
www.index-werke.de

GERMANY // Reichenbach

INDEX-Werke GmbH & Co. KG Hahn & Tessky
Hauffstraße 4
73262 Reichenbach
Phone +49 7153 502-0
info@index-werke.de
www.index-werke.de

FINLAND // Helsinki

INDEX TRAU B Finland
Hernepellontie 27
00710 Helsinki
Phone +35 8 108432001
pekka.virkki@index-traub.fi
www.index-traub.fi

FRANCE // Paris

INDEX France Sarl
1A, Avenue du Québec / Z.A. de Courtabœuf
91941 Les Ulis Cedex
Phone +33 1 69187676
info@index-france.fr
www.index-france.fr

FRANCE // Bonneville

INDEX France Sarl
399, Av. de La Roche Parnale
74130 Bonneville Cedex
Phone +33 4 50256534
info@index-france.fr
www.index-france.fr

NORWAY // Oslo

INDEX TRAU B Norge
Postbox 2842
0204 Oslo
Phone +46 8 505 979 00
h.sars@index-traub.se
www.index-traub.no

RUSSIA //Toglyatti

INDEX RUS
Lesnaya street 66
445011 Toglyatti
Phone +7 8482 691 905
indexrus.info@gmail.com
ru.index-traub.com

SWEDEN // Stockholm

INDEX TRAU B Nordic AB
Fagerstagatan 2
16308 Spånga
Phone +46 8 505 979 00
h.sars@index-traub.se
www.index-traub.se

SLOVAKIA // Malacky

INDEX Slovakia s.r.o.
Vínohrádok 5359
901 01 Malacky
Phone +34 654 9840
info@index-werke.de
www.index-traub.com

UNITED STATES // Noblesville

INDEX Corporation
14700 North Point Boulevard
Noblesville, IN 46060
Phone +1 317 770 6300
sale@index-usa.com
www.index-usa.com

better.parts.faster.

INDEX
TRAUB

**INDEX-Werke GmbH & Co. KG
Hahn & Tessky**

Plochinger Straße 92
73730 Esslingen

Phone +49 711 3191-0
Fax +49 711 3191-587
info@index-werke.de
www.index-traub.com